



T&S BRASS AND BRONZE WORKS, INC.

2 Saddleback Cove / P.O. Box 1088
Travelers Rest, SC 29690

Model No.

EMV-0522-24

Item No.

Travelers Rest, SC: 800-476-4103 • Simi Valley, CA: 800-423-0150 • Fax: 864-834-3518 • www.tsbrass.com

This Space for Architect/Engineer Approval

Job Name _____ Date _____

Model Specified _____ Quantity _____

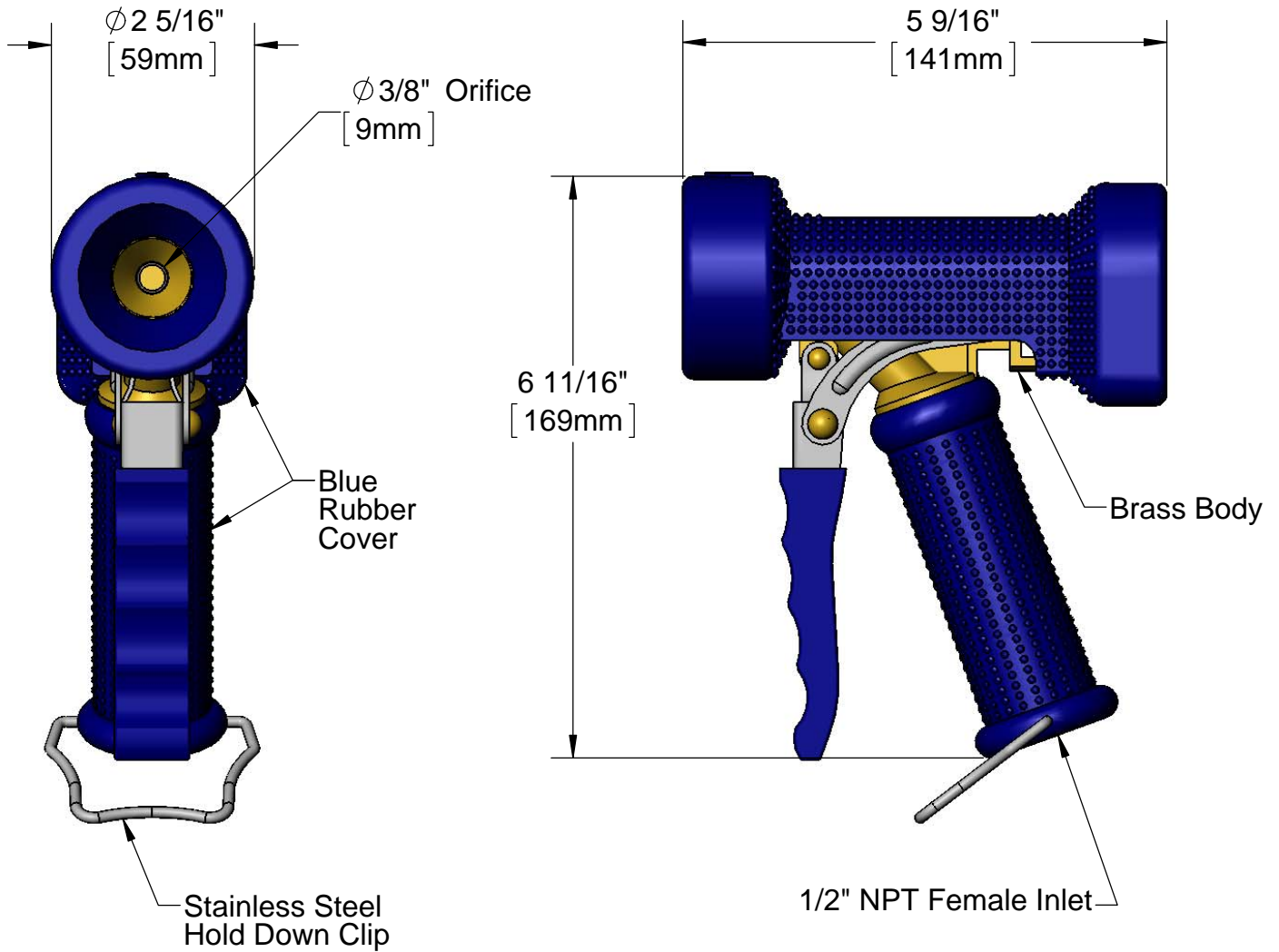
Customer/Wholesaler _____

Contractor _____

Architect/Engineer _____



H.L.Breenkade 1, 2465 AL Rijnsaterwoude
Tel: 0172-500280 e-mail: info@robinex.nl
www.robinex.nl



Product Specifications:
Brass Body, Front Trigger Water Gun - $\phi 9$ mm Orifice

Drawn	Checked	Approved
DMH	JRM	JHB
Scale:	Date:	
1:2	04/10/12	