



T&S BRASS AND BRONZE WORKS, INC.
 2 Saddleback Cove / P.O. Box 1088
 Travelers Rest, SC 29690

Model No.
EB-0107-C

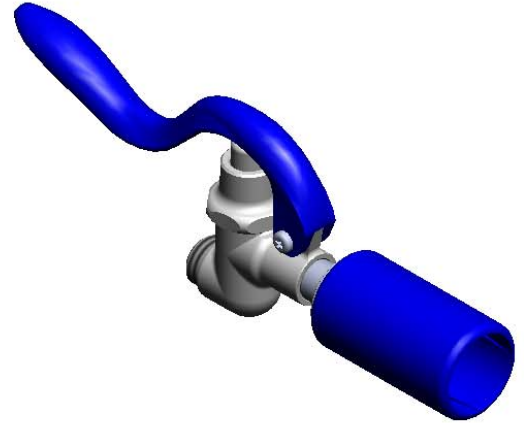
Item No.

Travelers Rest, SC: 800-476-4103 • Simi Valley, CA: 800-423-0150 • Fax: 864-834-3518 • www.tsbrass.com

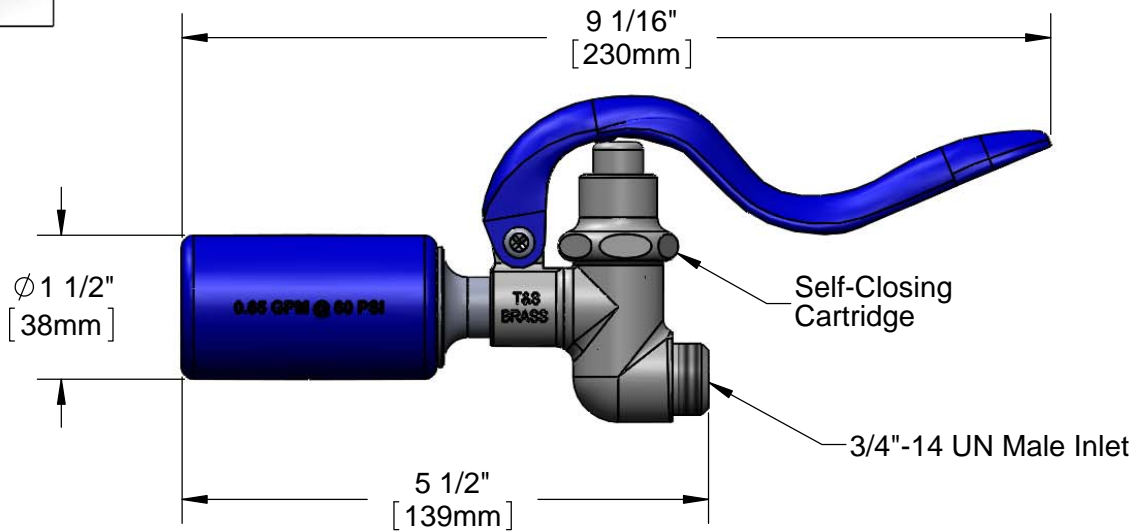
This Space for Architect/Engineer Approval

Job Name _____ Date _____
 Model Specified _____ Quantity _____
 Customer/Wholesaler _____
 Contractor _____
 Architect/Engineer _____

EPAct 2005 Compliant



Furnished w/ Hose Washer & Hold Down Ring



Flow Rate: 0.65 GPM (2.5 Lpm) @ 60 PSI
 Spray Force: 4.4 Ozf (125 Gramf)

Product Specifications:
 Self-Closing Pre-Rinse Spray Valve w/ 0.65 GPM Spray Nozzle

Drawn GEF	Checked JRM	Approved JHB
Scale: 1:2		Date: 02/21/14



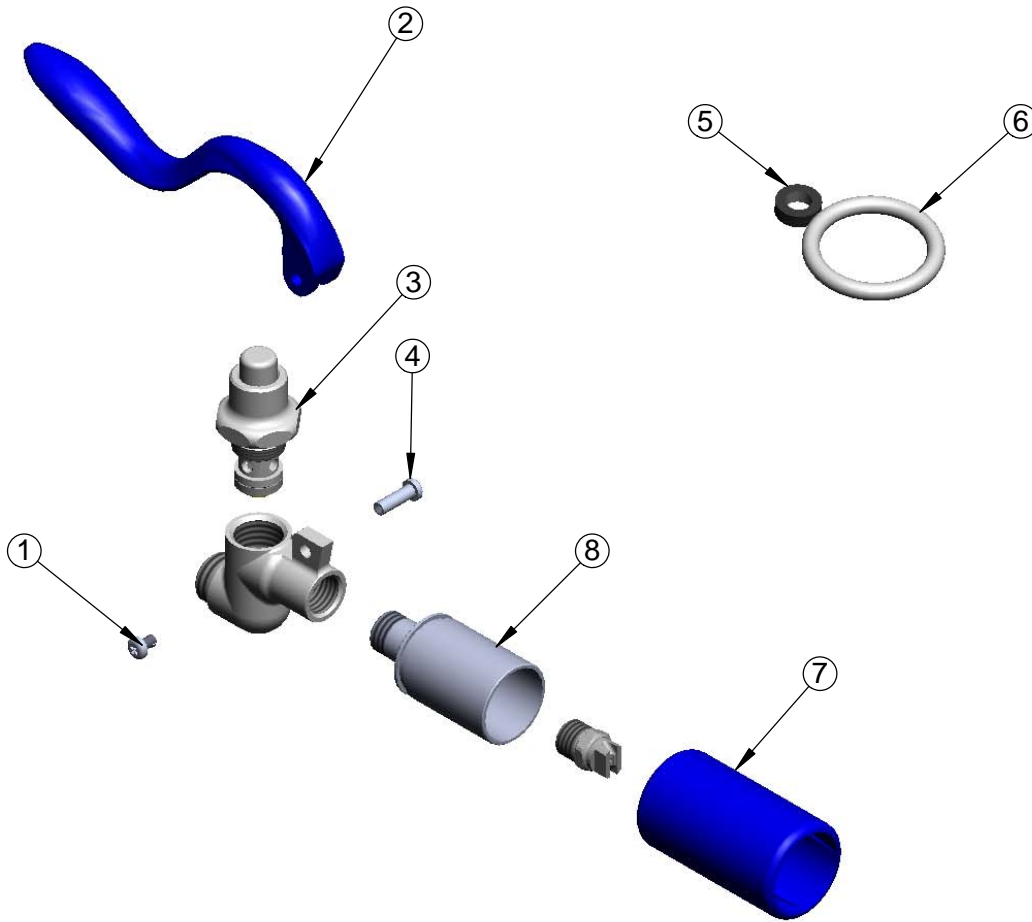
T&S BRASS AND BRONZE WORKS, INC.
 2 Saddleback Cove / P.O. Box 1088
 Travelers Rest, SC 29690

Model No.
EB-0107-C

Item No.

Travelers Rest, SC: 800-476-4103 • Simi Valley, CA: 800-423-0150 • Fax: 864-834-3518 • www.tsbrass.com

ITEM NO.	SALES NO.	DESCRIPTION
1	003199-45	Handle Screw, Spray Valve
2	011454-45	Handle, Blue Spray Valve
3	010594-40	Bonnet Asm, Spray Valve
4	003198-45	Handle Nut, Spray Valve
5	010476-45	#27 Washer
6	000907-45	Spray Valve Hold Down Ring
7	011499-45	Shield, Low Flow 0.65 GPM
8	003128-25	Low Flow Nozzle Holder



Product Specifications:
 Self-Closing Pre-Rinse Spray Valve w/ 0.65 GPM Spray Nozzle

Drawn GEF	Checked JRM	Approved JHB
Scale: NTS		Date: 02/21/14