



T&S BRASS AND BRONZE WORKS, INC.

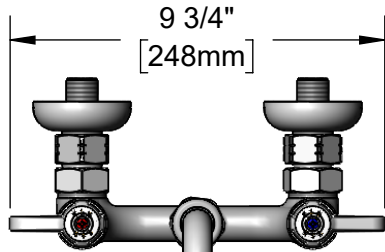
2 Saddleback Cove / P.O. Box 1088
Travelers Rest, SC 29690

Model No.

EU-6WF12

Item No.

Travelers Rest, SC: 800-476-4103 • Simi Valley, CA: 800-423-0150 • Fax: 864-834-3518 • www.tsbrass.com



ADA Compliant

This Space for Architect/Engineer Approval

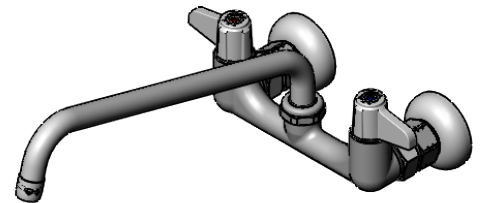
Job Name _____ Date _____

Model Specified _____ Quantity _____

Customer/Wholesaler _____

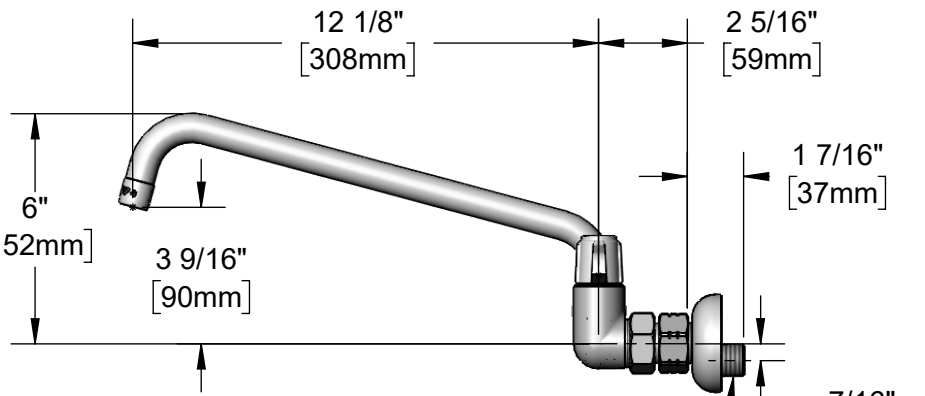
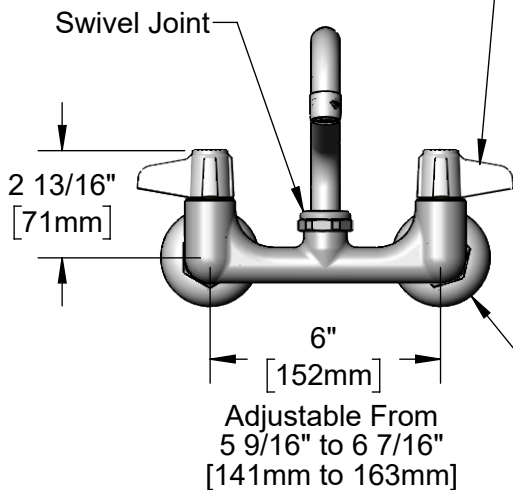
Contractor _____

Architect/Engineer _____



ES-12
12" Euro Swing Nozzle
w/ Laminar Flow Device.
Rigid Conversion Requires
014200-45 Lock Washer
(Included)

Quarter-Turn Ceramic
Cartridges & Euro Lever
Handles w/ Color Coded
Screws



Ø 2 9/16" [65mm]
Adjustable Escutcheon

G1/2 (BSP) Male
Offset Inlets
(Included)

Rough-In Requirement:
(2) Ø 1" [25mm] Mounting Holes

Product Specifications:
6" Wall Mount Mixing Faucet, Quarter-Turn Ceramic Cartridges, Euro Lever Handles, 12" Euro Swing Nozzle & G1/2 Male Offset Inlets w/ Adjustable Escutcheons

Product Compliance:
ASME A112.18.1 / CSA B125.1
NSF 61 - Section 9
NSF 372 (Low Lead Content)
ANSI A117.1 (ADA)



T&S BRASS AND BRONZE WORKS, INC.

2 Saddleback Cove / P.O. Box 1088
Travelers Rest, SC 29690

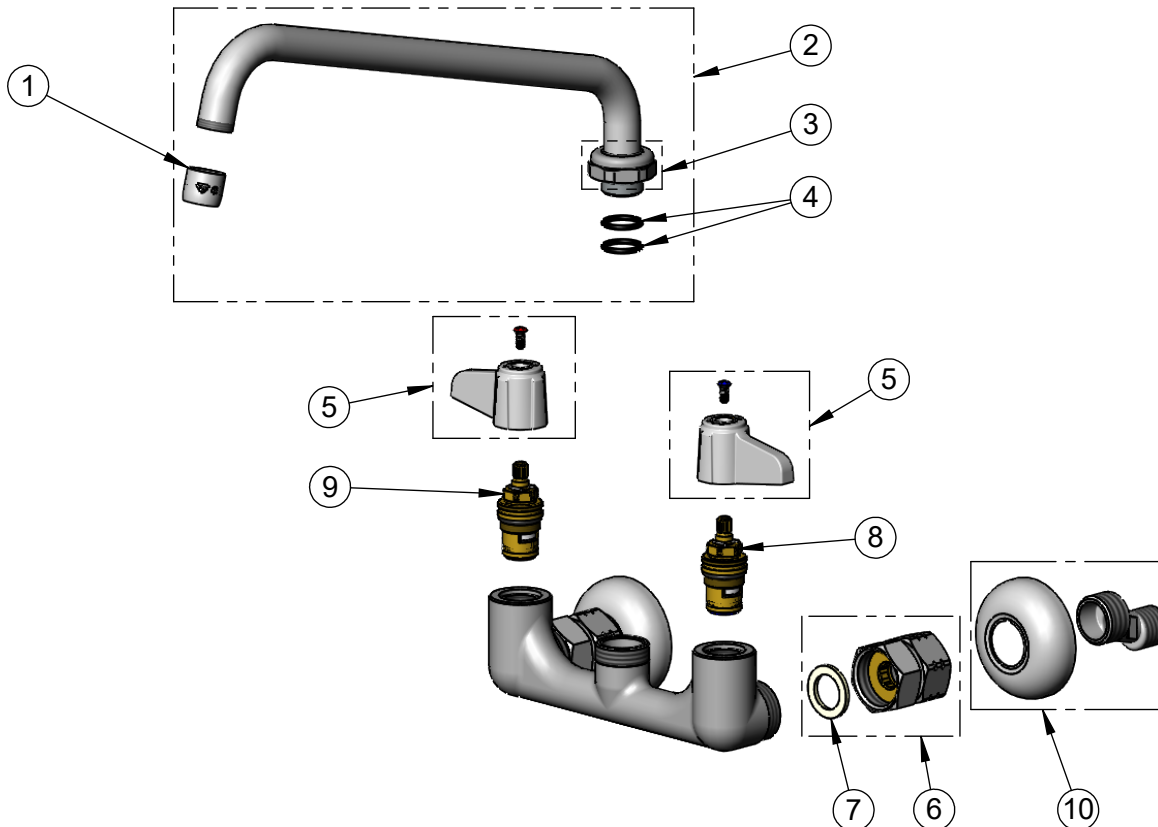
Model No.

EU-6WF12

Item No.

Travelers Rest, SC: 800-476-4103 • Simi Valley, CA: 800-423-0150 • Fax: 864-834-3518 • www.tsbrass.com

ITEM NO.	SALES NO.	DESCRIPTION
1	014250-45	Laminar Flow Device
2	ES-12	12" Euro Swing Nozzle
3	013839-25	equip Swivel Nut
4	013848-45	O-Ring
5	E-HDL-L	Euro Lever Handle w/ Color Coded Screws
6	EU-0467	G3/4 (BSPP) Wall Mount Adapter
7	001019-45	Coupling Nut Washer
8	013788-45	equip Quarter-Turn Ceramic Cartridge, LTC
9	013787-45	equip Quarter-Turn Ceramic Cartridge, RTC
10	018237-45EX	G1/2 x G3/4 Offset Inlet w/ Escutcheon (2)



Product Specifications:

6" Wall Mount Mixing Faucet, Quarter-Turn Ceramic Cartridges, Euro Lever Handles, 12" Euro Swing Nozzle & G1/2 Male Offset Inlets w/ Adjustable Escutcheons

Product Compliance:

ASME A112.18.1 / CSA B125.1
NSF 61 - Section 9
NSF 372 (Low Lead Content)
ANSI A117.1 (ADA)