



T&S BRASS AND BRONZE WORKS, INC.

2 Saddleback Cove / P.O. Box 1088
Travelers Rest, SC 29690

Model No.

EU-2DP12-LA

Item No.

Travelers Rest, SC: 800-476-4103 • Simi Valley, CA: 800-423-0150 • Fax: 864-834-3518 • www.tsbrass.com

This Space for Architect/Engineer Approval

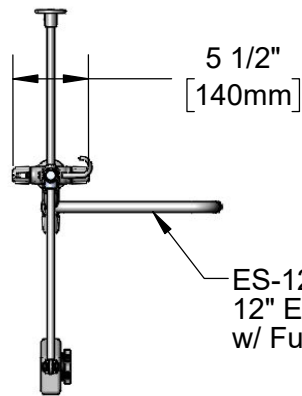
Job Name _____ Date _____

Model Specified _____ Quantity _____

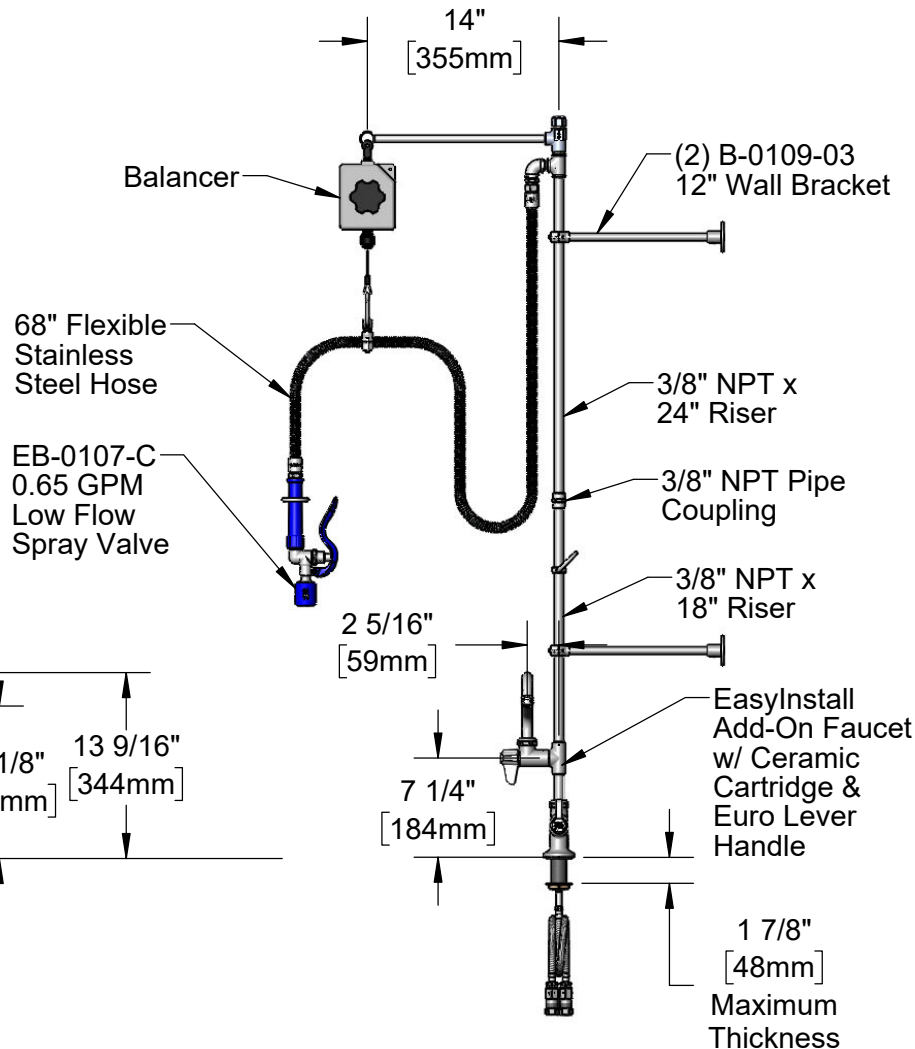
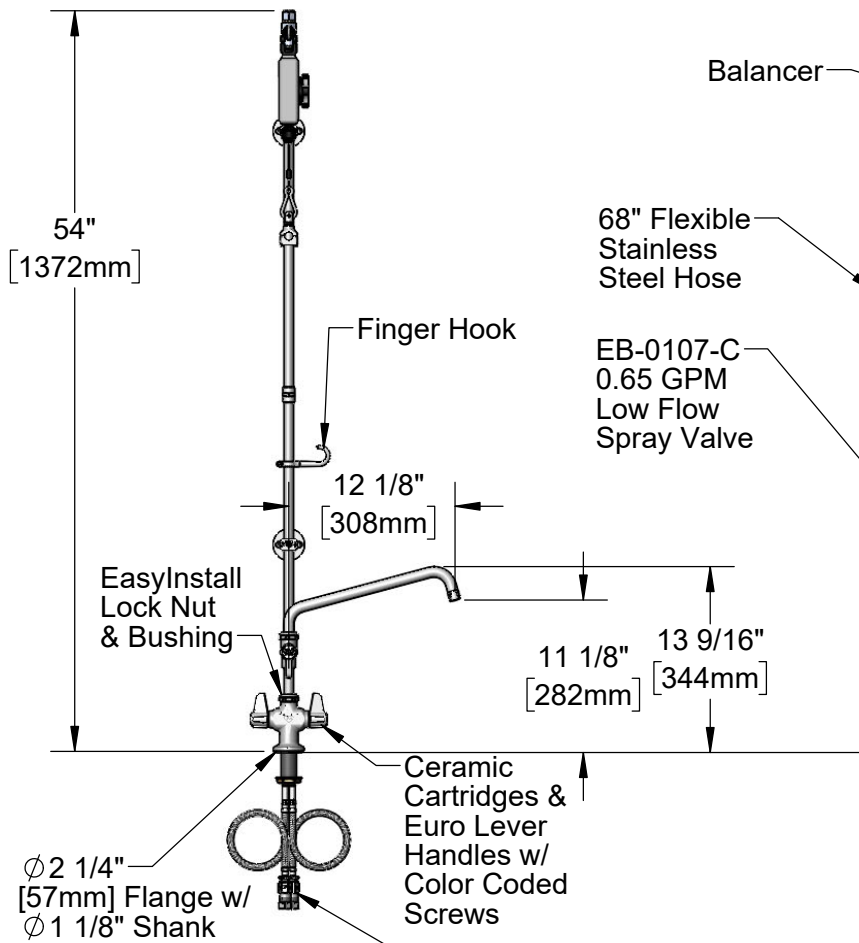
Customer/Wholesaler _____

Contractor _____

Architect/Engineer _____



ES-12
12" Euro Swing Nozzle
w/ Full Flow Laminar Device



Rough-In Requirement:

Ø 1 1/2" [38mm] Mounting Hole

18" [457mm] Flexible Supply Hoses
w/ Check Valves & Compression
Fittings for 15mm OD Copper Tubing

Product Specifications:

Pre-Rinse Unit: Single Hole Deck Mount Mixing Faucet, Ceramic Cartridges, Euro Lever Handles, Add-On Faucet w/ 12" Swing Nozzle, 68" Flexible Stainless Steel Hose, 0.65 GPM Low Flow Spray Valve, Balancer, Extension Arm, (2) 12" Wall Brackets, 1/2" NPSM Male Threads & 18" Flexible Hoses w/ Check Valves & 15mm OD Compression Fittings

Product Compliance:

ASME A112.18.1 / CSA B125.1
NSF 61 - Section 9
NSF 372 (Low Lead Content)
2019 DOE PRSV - Class I



T&S BRASS AND BRONZE WORKS, INC.

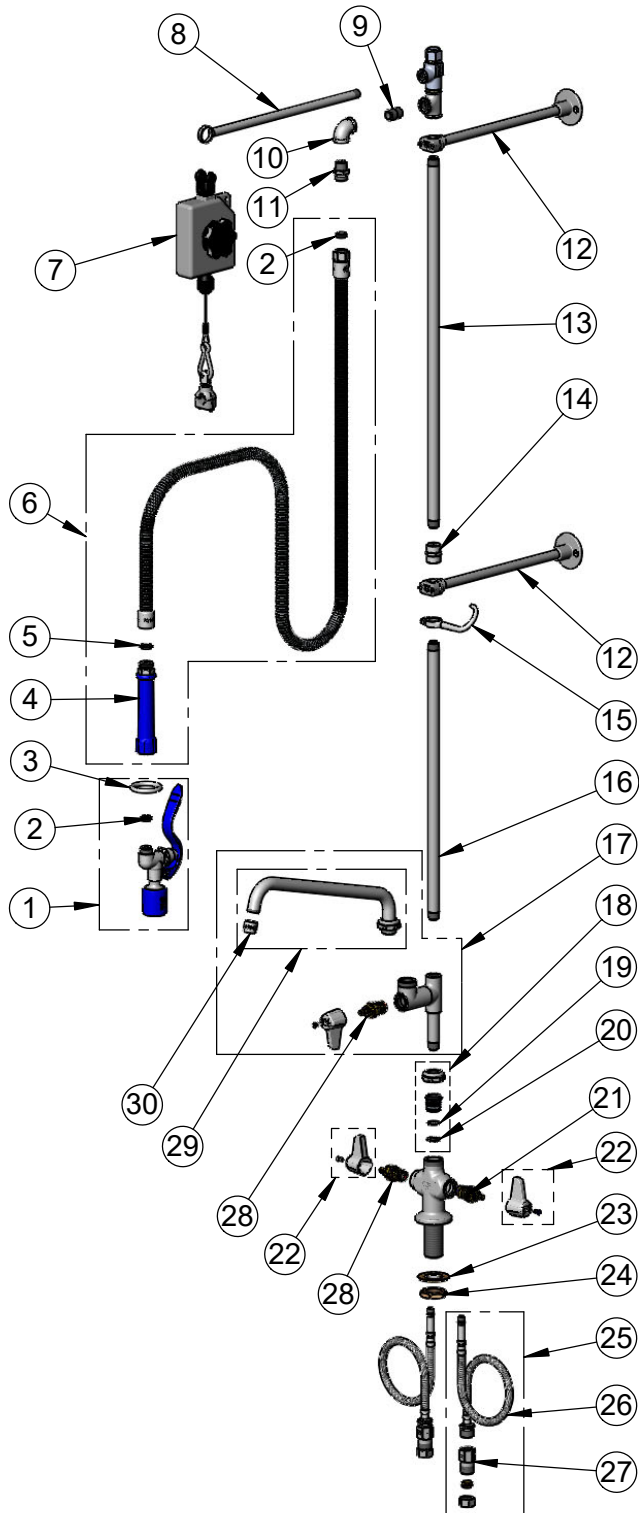
2 Saddleback Cove / P.O. Box 1088
Travelers Rest, SC 29690

Model No.

EU-2DP12-LA

Item No.

Travelers Rest, SC: 800-476-4103 • Simi Valley, CA: 800-423-0150 • Fax: 864-834-3518 • www.tsbrass.com



ITEM NO.	SALES NO.	DESCRIPTION
1	EB-0107-C	0.65 GPM Low Flow Spray Valve (Blue)
2	010476-45	#27 Washer
3	000907-45	Spray Valve Hold Down Ring
4	011482-40	Grip Handle (Blue)
5	001014-45	Washer, B-0100 Hose Barrel
6	EB-0068-H	68" Flexible Stainless Steel Hose
7	005311-40	Balancer
8	005252-20	Extension Arm, Chrome Plated
9	002535-25	3/8" Close Nipple
10	001355-40	Elbow, 3/8 NPT
11	053A	Adapter, 3/8" NPT Male
12	B-0109-03	12" Wall Bracket
13	000372-40	3/8" NPT x 24" Riser
14	001769-40	Coupling, 3/8" NPT
15	004R	Finger Hook
16	000369-40	3/8" NPT x 18" Riser
17	EU-AF12	Euro Add-On Faucet w/ Ceramic Cartridge, 12" Euro Swing Nozzle & Euro Lever Handle
18	EZ-K	EasyInstall Kit
19	001062-45	O-Ring
20	014200-45	Star Washer, Anti-Rotation
21	013788-45	Ceramic Cartridge, LTC (Blue)
22	E-HDL-L	Euro Lever Handle w/ (2) Color Coded Screws
23	002290-45	Lock Washer
24	000965-45	Lock Nut
25	016068-25	Euro 15mm Flexible Supply Hose w/ Check Valve
26	012436-45	Euro 15mm Flexible Supply Hose
27	016047-25	15mm Check Valve Hsg, 1/2" NPSM MxF
28	013787-45	Ceramic Cartridge, RTC (Red)
29	ES-12	12" Euro Swing Nozzle w/ Laminar Flow Device
30	014250-45	Laminar Full Flow Outlet Device

Product Specifications:

Pre-Rinse Unit: Single Hole Deck Mount Mixing Faucet, Ceramic Cartridges, Euro Lever Handles, Add-On Faucet w/ 12" Swing Nozzle, 68" Flexible Stainless Steel Hose, 0.65 GPM Low Flow Spray Valve, Balancer, Extension Arm, (2) 12" Wall Brackets, 1/2" NPSM Male Threads & 18" Flexible Hoses w/ Check Valves & 15mm OD Compression Fittings

Product Compliance:

ASME A112.18.1 / CSA B125.1
NSF 61 - Section 9
NSF 372 (Low Lead Content)
2019 DOE PRSV - Class I